

**FEATURES**

**18W Constant Voltage LED Driver**

**LHUV-018 Series**

- Short Circuit & Over Voltage Protection
- Recycle & no hazardous substance
- Double isolation design for human safety
- Conveniently connected terminals (screws)
- Fireproof environment protection PC plastic cover
- 3 year quality warranty
- CE & RoHS compliant



**SPECIFICATION**

**Output**

Model	LHUV-018S012PS	LHUV-018S024PS	LHUV-018S036PS	LHUV-018S048PS
Output Voltage	12	24	36	48
Output Current	1200 mA	600 mA	400 mA	300 mA

**Input**

Model	LHUV-018S12PS	LHUV-018S24PS	LHUV-018S036PS	LHUV-018S048PS
Input Voltage (V AC)	100-240	100-240	100-240	100-240
PF	>0.90	>0.90	>0.90	>0.90
Efficiency (%)	>80%	>83%	>83%	>83%

**Environmental Requirement**

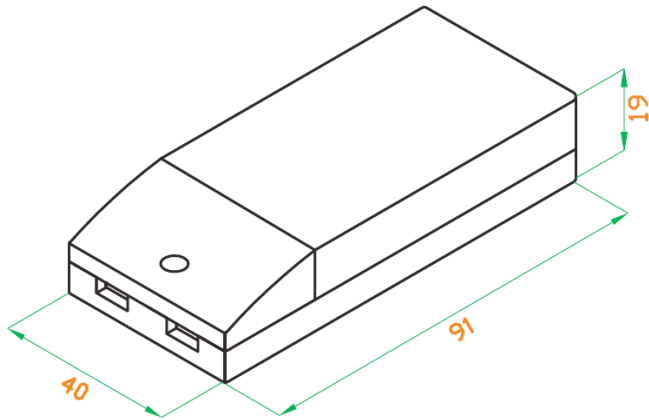
Environmental Requirement	
Item	Parameter
Operating Temperature	-30~45°C
Storage Temperature	-40~+70°C
Relative Humidity	5~95%
Thermal dissipation	Nature

**Safety & EMC**

Safety & EMC	
Safety	EN61347-1
	EN61347-2-13
EMI	EN55015 Class B
Harmonic current emissions	EN61000-3-2/3
Electromagnetic immunity	EN61547, EN55024
	EN61000-4-2/3/4/6/8/11



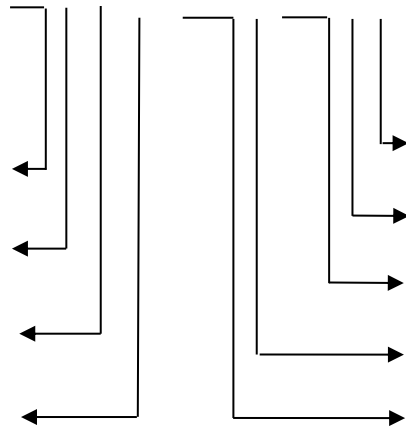
Dimension Chart (mm)



PART NUMBER SCHEME

LHUV-018S012PS

- L=LED driver
- H= Hybrid
- U= Universal Input
- V= Constant Voltage



- S=Class II, 2 wire input
- P=Plastic Case
- 012=Rated Current
- S=Single output
- 018=Output Power (Watts)

SPECIFICATIONS ARE SUBJECT TO CHANGE WITHOUT NOTICE  
 ATEC IS NOT RESPONSIBLE FOR ISSUES ARISING FROM ERRORS OR OMMISIONS

