

**FEATURES**

**60W Constant Voltage Triac Dimmable Driver**

**LHLVT060S Series**

- Full-isolated, delivering up to 60W of power
- Short circuit, over current and over voltage protection. Up to 84% efficient.
- Turn-on/ Turn-off time within 1s and output ripple voltage within 3V
- Fireproof environmental protection PC plastic cover
- 2 Years quality warranty



**SPECIFICATIONS**

Model #	LHLVT060S012PS	LHLVT060S024PS	LHLVT060S036PS	LHLVT060S048PS
Output Current	4000mA	2500mA	1700mA	1200mA
Output Voltage	12V	24V	36V	48V

**Technical Parameters**

Input Voltage Range	90~130V/AC
AC Frequency	48~62Hz
Input Current	0.78A max
Output Power	60W Max.
Power Factor	>0.95
Efficiency	>84%
Line Regulation Rating	Constant Voltage no change
On Load Range	70% ~ 100%
Dimensions	(L*W*H) 170*50*31 mm
Weight	225g

**Environmental Specifications**

Operating Temperature	-30°C~45°C
Storage Temperature	-40°C~70°C
Thermal Dissipation	Nature
Relative Humidity	5~95%
Isolation Voltage	In/Out 3000VAC
Vibration	5-55Hz/2g, 30 Min.
Life Time	50,000 hours, at TC max

**Conformity & Standards**

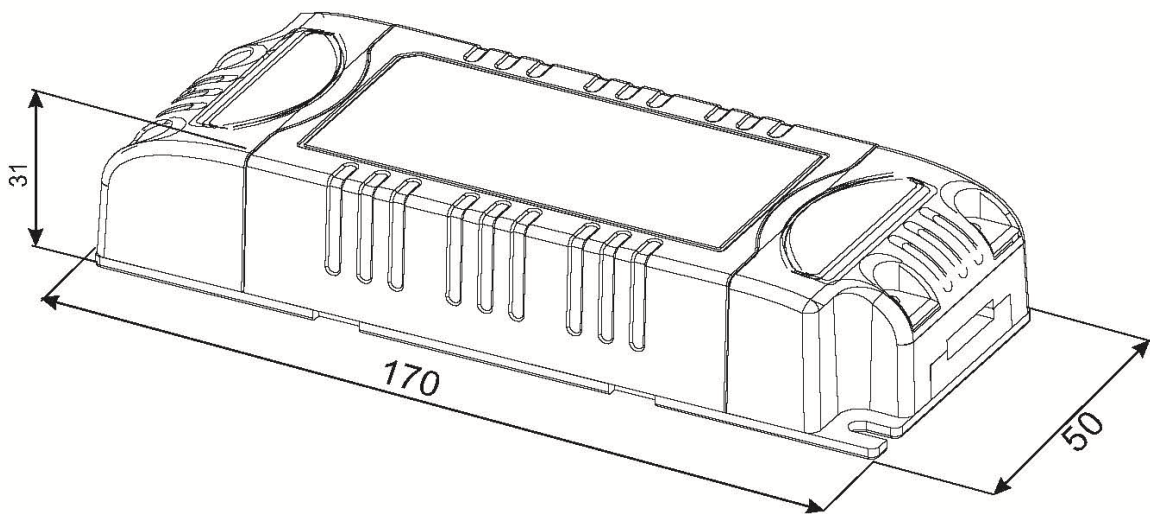
EMI	EN55022, EN55015 Class B
Safety	EN60598
Electromagnetic Immunity	EN61547,ENV5024 EN61000-4-2/3/4/6/8/11
Harmonic Current Emission	EN61000-3-2 EN61000-3-3



Installation



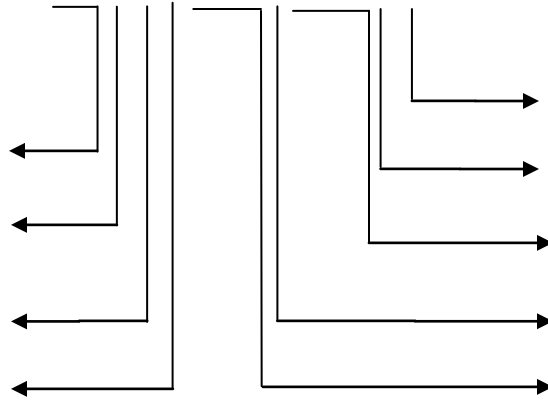
Dimensions



## PART NUMBER SCHEME

LHLVT060S012PS

- L=LED Driver "H" Series
- L = 110/220VAC
- V = Constant Voltage
- T = Triac



- S = Class II, 2 Wire Input
- P = Plastic Case
- 012= Voltage (V)
- S = Single Output
- 060= Output Power (Watts)

SPECIFICATIONS ARE SUBJECT TO CHANGE WITHOUT NOTICE. AUTEC IS NOT RESPONSIBLE FOR ISSUES ARISING FROM ERRORS OR OMISSIONS.

