

FEATURES

300W High Input Voltage Constant Current LED Driver

LHC300 Series

- High Efficiency & Power Factor – Meets DLC & Energy Star
- 277-528Vac Input
- Constant Current
- IP67, Damp & Wet Location (Some Models)
- Short Circuit, Over Voltage and Open Lamp Protections
- Optional 0-10V & PWM (Output) Dimming



SPECIFICATIONS

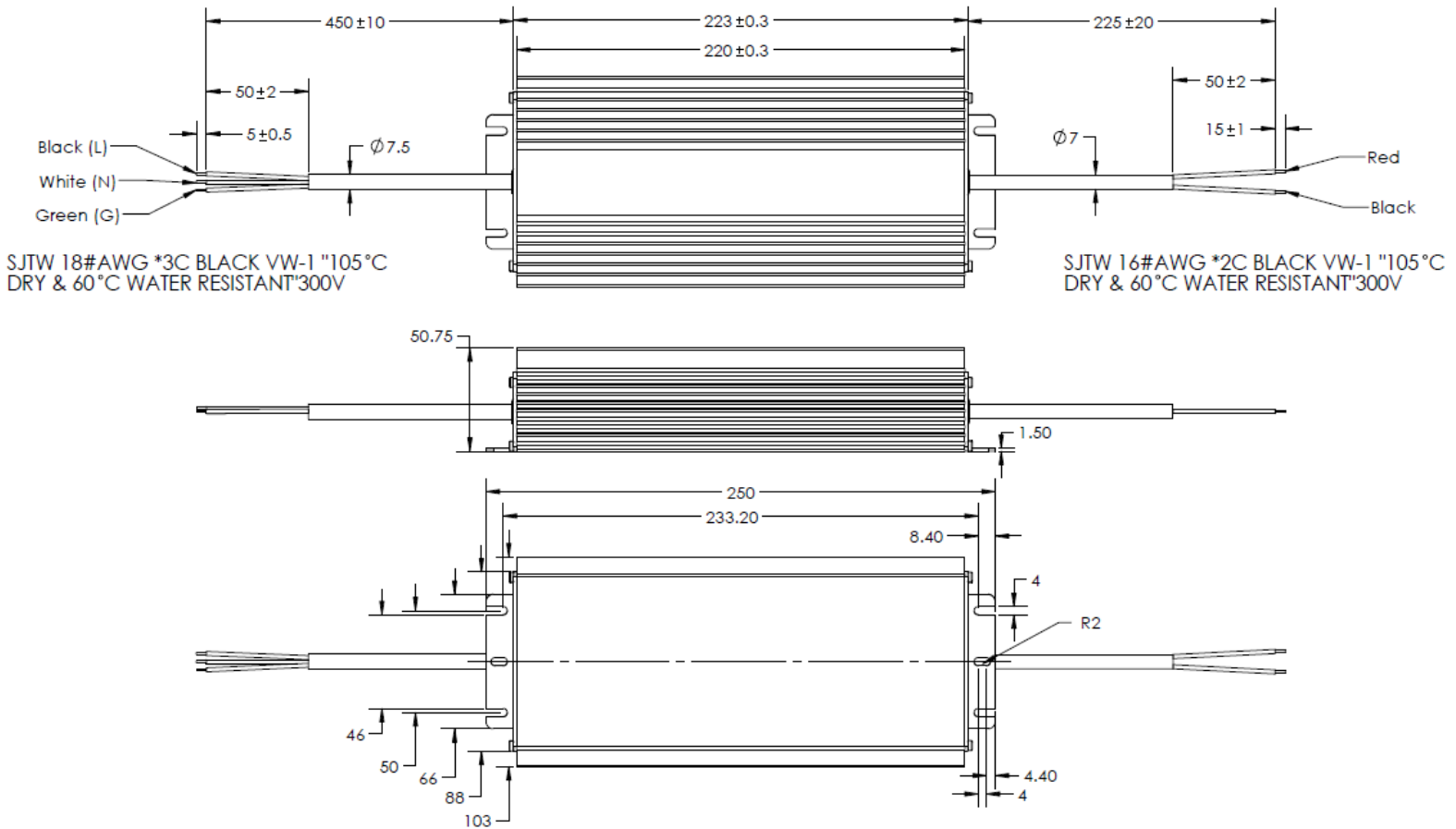
Model #	Output Current	Output Voltage Range	No Load Output Voltage	PF		Efficiency	
				300Vac	480Vac	300Vac	480Vac
LHC300-070Sxx	700mA	278-429	434	.99	.97	91%	92%
LHC300-105Sxx	1050mA	185-285	288	.99	.97	91%	92%
LHC300-140Sxx	1400mA	140-216	219	.99	.96	91%	92%
LHC300-210Sxx	2100mA	91-141	143	.99	.96	91%	91%
LHC300-280Sxx	2800mA	70-108	110	.99	.95	90%	91%
LHC300-350Sxx	3500mA	56-87	88	.99	.95	90%	91%
LHC300-420Sxx	4200mA	46-72	73	.99	.95	90%	91%
LHC300-555Sxx	5550mA	35-54	55	.98	.95	90%	91%
LHC300-625Sxx	6250mA	31-48	49	.98	.94	90%	90%
LHC300-714Sxx	7140mA	27-42	43	.98	.94	90%	90%
LHC300-833Sxx	8330mA	23-36	37	.98	.94	90%	90%
LHC300-12KSxx	12500mA	15-24	25	.98	.94	89%	90%

Output	Rated Power	300W	
	Voltage Tolerance	±5%	
	Line Regulation	1%	
	Load Regulation	1%	
	Overshoot	During turn on and off, no voltage shall exceed its nominal voltage by more than 10% and no output will change its polarity with respect to its return line.	
	Ripple and Noise	3% Vo Measured by 20 MHz bandwidth oscilloscope and the output paralleled a 0.1 uF ceramic capacitor and a 10 uF electrolytic capacitor	
	No Load Power Consumption	< 1%	
Turn-on Delay Time	Output shall reach steady state value within 2 seconds of power on.		
Input	Voltage Range	300~480V	
	Frequency Range	47Hz~63Hz	
	PF	≥ 0.9 at 480 VAC	
	Inrush Current	The inrush current will not exceed 100A at 480Vac input, cold start, 25°C	
	AC Current (Typ.)	1.5A @ 277Vac	
Protections	Short Circuit	Hiccup mode, recovers automatically after fault condition is removed	
	Over Temperature	110°C Internal temp. restarts automatically after cooling	
	Over Current	Hiccup mode, recovers automatically after fault condition is removed	
	Over Voltage (Typ.)	Protection type: latch-off mode, recycle AC to restart power supply	
Envir onme	Temperature Range	Operational	0°C~60°C
		Storage	-10°C~80°C



	Humidity	Operational	20~95%
		Storage	5~95%
Safety & EMC	Safety Standards (Pending)	UL8750, CSA-C22.2, No. 107.1 EN61347-1, EN61347-2-13	
	EMI Conduction & Radiation	EN55015	
	EMS Immunity	EN61000-3-2, EN61000-3-3, EN61000-4-2, EN61000-4-3, EN61000-4-4, EN61000-4-5, EN61000-4-6, EN61000-4-8, EN61000-4-11, EN61547	
Others	MTBF (3)	345000 hrs	
	Life Time (3)	51000 hrs	
	Dimensions (L*W*H)	(L*W*H) 7.40*3.07*1.46 inches 188.5*78*37 mm	
	Weight	1100g	

Mechanical Specifications



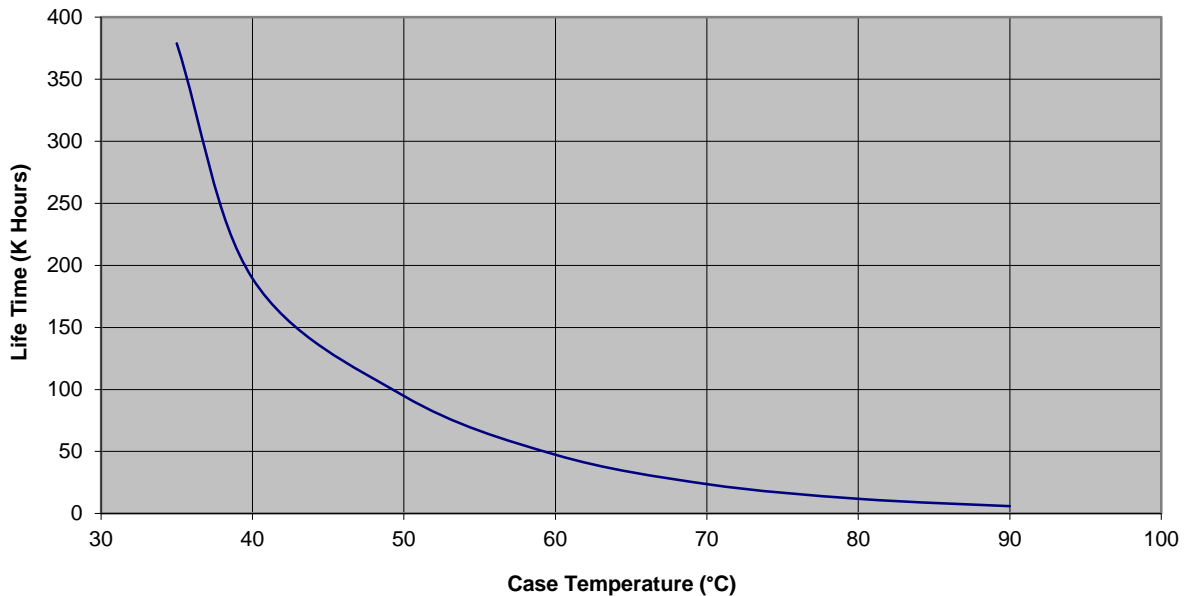
PART NUMBER SCHEME

L H C300-XXXXS40

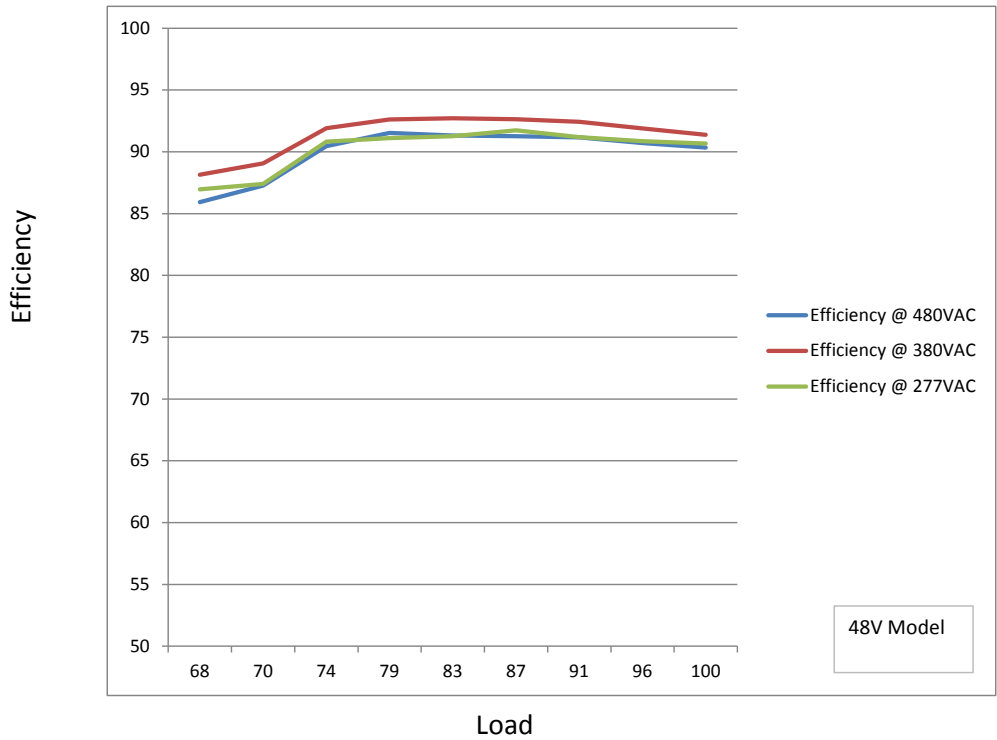
- L= LED Driver
- H = High Input Voltage 277-528Vac
- C = Constant Current
- 300= Total Power (Watts)
- = no dimming, D = 0-10V Dimming
P = PWM Dimming

- 0 = none Dimming, 2 = 2 wire Dimming
3 = 3 wire Dimming
- 4 = 4KV Surge or 6 = 6KV Surge
- S= Single output
- XXX=Rated Current

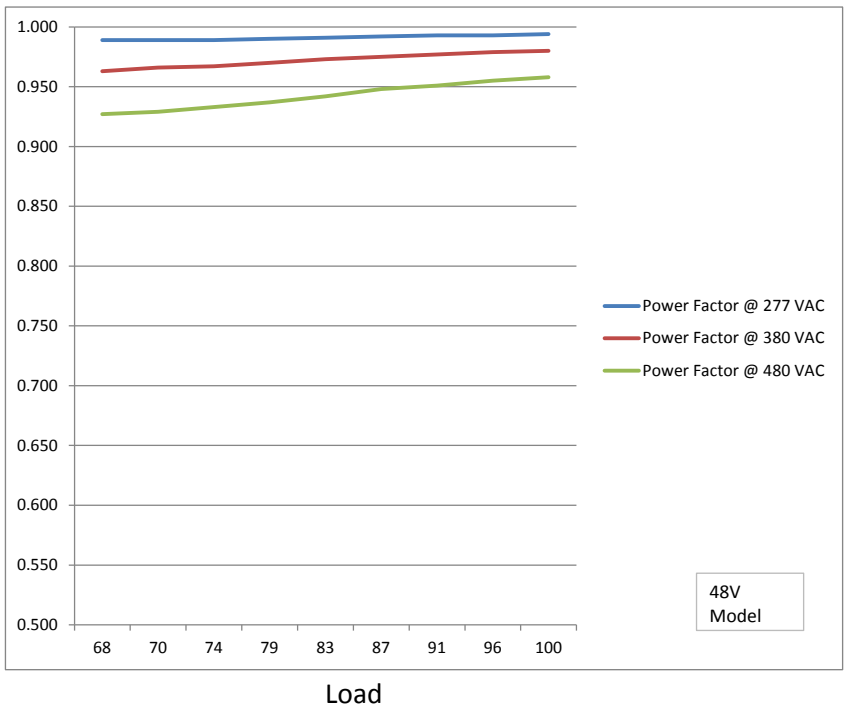
**Life Time vs Case Temperature
42V @ (,) VAC**



Efficiency vs. Load



PFC vs. Load



SPECIFICATIONS ARE SUBJECT TO CHANGE WITHOUT NOTICE AUTEC IS NOT RESPONSIBLE FOR ISSUES ARISING FROM ERRORS OR OMMISIONS

